

# **Lambda ZAP II Undigested Vector Kit**

## **INSTRUCTION MANUAL**

Catalog #236201

Revision A.01

**For In Vitro Use Only**

236201-12

## LIMITED PRODUCT WARRANTY

This warranty limits our liability to replacement of this product. No other warranties of any kind, express or implied, including without limitation, implied warranties of merchantability or fitness for a particular purpose, are provided by Agilent. Agilent shall have no liability for any direct, indirect, consequential, or incidental damages arising out of the use, the results of use, or the inability to use this product.

## ORDERING INFORMATION AND TECHNICAL SERVICES

### United States and Canada

#### Agilent Technologies

#### Stratagene Products Division

11011 North Torrey Pines Road

La Jolla, CA 92037

**Telephone** (858) 373-6300

**Order Toll Free** (800) 424-5444

**Technical Services** (800) 894-1304

**Internet** techservices@agilent.com

**World Wide Web** www.stratagene.com

### Europe

Location	Telephone	Fax	Technical Services
<b>Austria</b>	0800 292 499	0800 292 496	0800 292 498
<b>Belgium</b>	00800 7000 7000	00800 7001 7001	00800 7400 7400
	0800 15775	0800 15740	0800 15720
<b>France</b>	00800 7000 7000	00800 7001 7001	00800 7400 7400
	0800 919 288	0800 919 287	0800 919 289
<b>Germany</b>	00800 7000 7000	00800 7001 7001	00800 7400 7400
	0800 182 8232	0800 182 8231	0800 182 8234
<b>Netherlands</b>	00800 7000 7000	00800 7001 7001	00800 7400 7400
	0800 023 0446	+31 (0)20 312 5700	0800 023 0448
<b>Switzerland</b>	00800 7000 7000	00800 7001 7001	00800 7400 7400
	0800 563 080	0800 563 082	0800 563 081
<b>United Kingdom</b>	00800 7000 7000	00800 7001 7001	00800 7400 7400
	0800 917 3282	0800 917 3283	0800 917 3281

### All Other Countries

Please contact your local distributor. A complete list of distributors is available at [www.stratagene.com](http://www.stratagene.com).

# Lambda ZAP II Undigested Vector Kit

## CONTENTS

<b>Materials Provided</b> .....	<b>1</b>
<b>Storage Conditions</b> .....	<b>1</b>
<b>Notice to Purchaser</b> .....	<b>1</b>
<b>Introduction</b> .....	<b>2</b>
Overview of the Lambda ZAP II Vector System .....	2
Lambda ZAP II Vector Map.....	2
pBluescript SK(-) Vector Map.....	3
<b>Bacterial Host Strains</b> .....	<b>5</b>
Host Strain Genotypes.....	5
XL1-Blue MRF <sup>7</sup> Bacterial Strain Description.....	5
Recommended Media.....	6
Establishing an Agar Plate Bacterial Stock .....	6
Preparing a -80°C Bacterial Glycerol Stock .....	7
Growth of Cells for Plating Phage.....	7
Determining Background by Color Selection with IPTG and X-gal.....	7
<b>Helper Phage</b> .....	<b>8</b>
Storing the Helper Phage.....	8
Titering the Helper Phage.....	8
Amplifying the Helper Phage.....	9
<b>Preparing the Lambda ZAP II Vector</b> .....	<b>10</b>
Preparing for Digestion .....	10
Digestion .....	11
Partial Fill-In Technique.....	12
Calf Intestinal Alkaline Phosphatase Treatment .....	13
<b>Ligating the Insert</b> .....	<b>13</b>
<b>Determining Background by Blue-White Color Selection</b> .....	<b>14</b>
<b>Titering the Library</b> .....	<b>15</b>
<b>Amplifying the Library</b> .....	<b>16</b>
<b>Performing Plaque Lifts</b> .....	<b>18</b>
<b>Hybridizing and Screening</b> .....	<b>19</b>
<b>Antibody Screening Protocol</b> .....	<b>19</b>
<b>In Vivo Excision of the pBluescript Phagemid from the Lambda ZAP II Vector</b> .....	<b>20</b>

<b>In Vivo Excision Protocols Using ExAssist Helper Phage with SOLR Strain .....</b>	<b>21</b>
Single-Clone Excision Protocol .....	21
Mass Excision Protocol .....	23
<b>Appendix: Recovery of Single-Stranded DNA from Cells Containing pBluescript Phagemids</b>	<b>25</b>
Single-Stranded Rescue Protocol .....	26
<b>Troubleshooting .....</b>	<b>27</b>
Packaging .....	27
Excision .....	27
<b>Preparation of Media And Reagents .....</b>	<b>28</b>
<b>References .....</b>	<b>30</b>
<b>Endnotes.....</b>	<b>30</b>
<b>MSDS Information.....</b>	<b>30</b>

# Lambda ZAP II Undigested Vector Kit

## MATERIALS PROVIDED

Materials provided	Quantity
Undigested Lambda ZAP II DNA <sup>a</sup>	20 µg
Host strains <sup>b</sup>	
XL1-Blue MRF' strain	0.5-ml bacterial glycerol stock
SOLR strain	0.5-ml bacterial glycerol stock
f1 helper phage <sup>c</sup>	
ExAssist interference-resistant helper phage	1 ml
VCSM13 Interference-Resistant Helper Phage	1 ml

<sup>a</sup> On arrival, store the Lambda ZAP II vector at  $-20^{\circ}\text{C}$ . After thawing, aliquot and store at  $-20^{\circ}\text{C}$ . Do not pass through more than two freeze-thaw cycles. For short-term storage, store at  $4^{\circ}\text{C}$  for 1 month.

<sup>b</sup> Use the SOLR strain for plating excised phagemids and the XL1-Blue MRF' strain for all other manipulations. For host strain storage conditions, see *Bacterial Host Strains*.

<sup>c</sup> Retiter after 1 month. (Take care not to contaminate the Lambda ZAP II vector with the high-titer filamentous helper phage.) Store at  $-80^{\circ}\text{C}$ . We recommend the VCSM13 interference-resistant helper phage for single stranded rescue. ExAssist interference-resistant helper phage has  $\alpha$ -complementing  $\beta$ -galactosidase sequences which may interfere with sequencing or site-directed mutagenesis where oligonucleotide primers hybridize to  $\beta$ -galactosidase sequences (e.g., M13-20 primer).

## STORAGE CONDITIONS

**The Lambda ZAP II Vector:**  $-20^{\circ}\text{C}$

**Helper Phage:**  $-80^{\circ}\text{C}$

**Bacterial Glycerol Stocks:**  $-80^{\circ}\text{C}$

## NOTICE TO PURCHASER

The Lambda ZAP II vector is covered by Stratagene's United States Patent No. 5,128,256. The purchase of this vector includes a limited, nonexclusive license under such patent rights to use the vector for the cloning, expression and characterization of genes. This license does not grant rights to (1) use the Lambda ZAP II vector for the reproduction, amplification or modification of the vector; (2) offer the Lambda ZAP II vector or any derivative thereof for resale; (3) distribute or transfer the Lambda ZAP II vector or any derivative thereof to any third party; or (4) incorporate the Lambda ZAP II vector or any derivative thereof in any genomic or cDNA library for resale, distribution or transfer to any third party. No other license, express, implied or by estoppel, is granted. For information concerning the availability of licenses to reproduce and/or modify the Lambda ZAP II vector, please contact Stratagene's Technical Services Department at 1-800-424-5444.

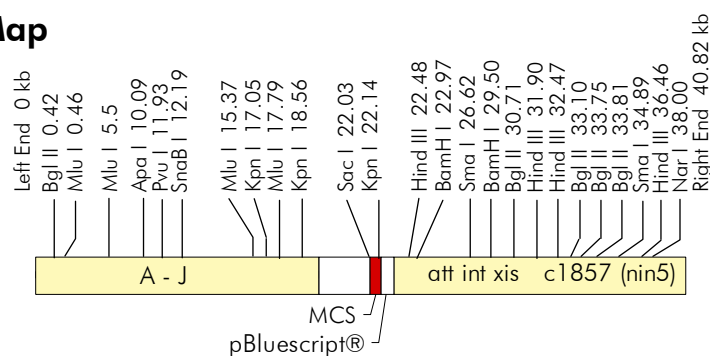
# INTRODUCTION

## Overview of the Lambda ZAP II Vector System

The Lambda ZAP II system combines the high efficiency of lambda library construction and the convenience of a plasmid system with improved blue–white color selection (see Figure 1). The original Lambda ZAP vector contains the *Sam100* mutation, thus limiting the choice of suitable host strains to those containing a *supF* genotype. Lambda ZAP II, a new variation of the Lambda ZAP vector, no longer contains the *Sam100* mutation, therefore, highly efficient growth can be obtained on many non-*supF* strains, including XL1-Blue MRF' cells.<sup>1</sup> Use of the XL1-Blue MRF' host strain with Lambda ZAP II enhances the blue color produced by nonrecombinant phage, thereby improving blue–white color selection.

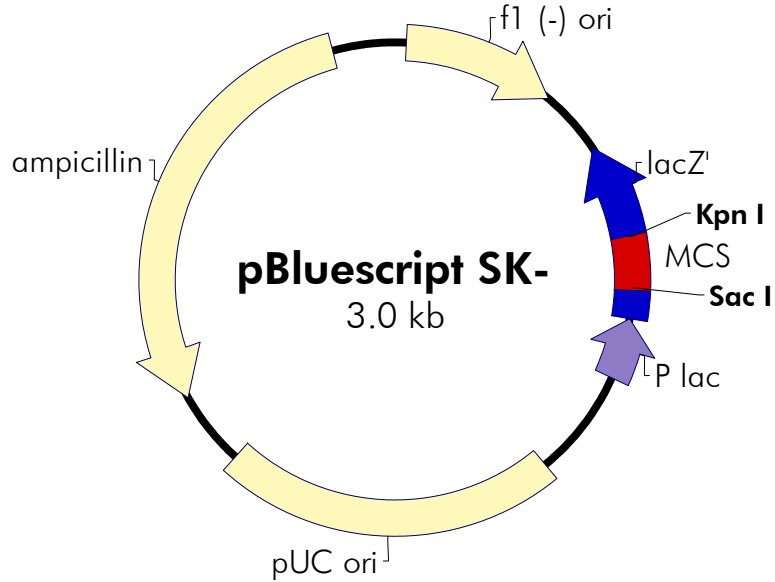
As with the original Lambda ZAP vector, the Lambda ZAP II vector has six unique cloning sites (*Sac* I, *Not* I, *Xba* I, *Spe* I, *Eco*R I, and *Xho* I) that will accommodate DNA inserts from 0 to 10 kb in length. Clones in the Lambda ZAP II vector can be screened with either DNA probes or antibody probes and allows in vivo rapid excision of the pBluescript phagemid, allowing your insert to be characterized in a plasmid system. The polylinker of the pBluescript phagemid, derived from pUC19, has 21 unique cloning sites flanked by T3 and T7 promoters and a choice of 6 different primer sites for DNA sequencing. The phagemid has the bacteriophage f1 origin of replication, allowing rescue of single-stranded DNA, which can be used for DNA sequencing or site-directed mutagenesis. Unidirectional deletions can be made with exonuclease III and mung bean nuclease by taking advantage of the unique positioning of 5' and 3' restriction sites. Transcripts made from the T3 and T7 promoters generate riboprobes useful in Southern and Northern blotting, and the *lacZ* promoter may be used to drive expression of fusion proteins suitable for Western blot analysis or protein purification.

## Lambda ZAP II Vector Map

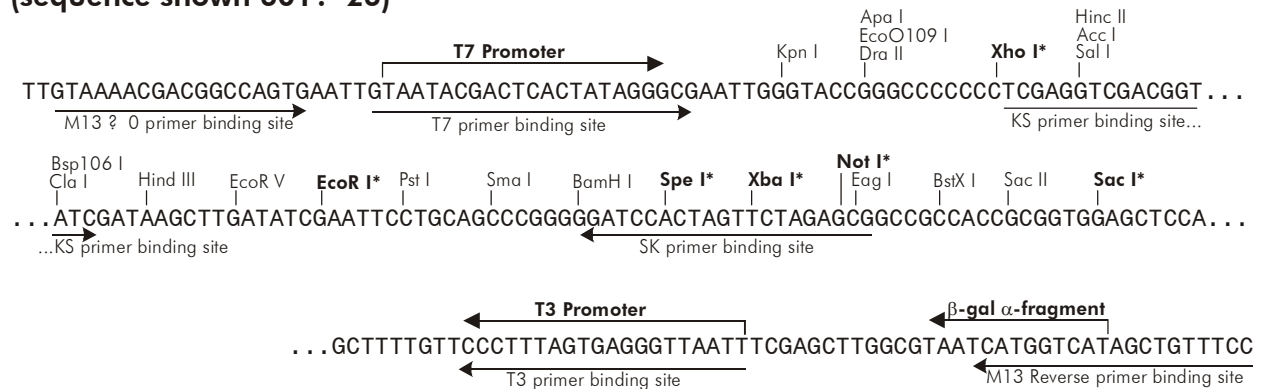


**FIGURE 1** Restriction map of the Lambda ZAP II insertion vector.

## pBluescript SK(-) Vector Map



## pBluescript SK (? Multiple Cloning Site Region (sequence shown 601? 26)



\* These six restriction sites (Sac I, Not I, Xba I, Spe I, EcoR I, and Xho I) are unique within the Lambda ZAP II cloning vector.

Feature	Nucleotide Position
f1 (-) origin of ss-DNA replication	24-330
β-galactosidase α-fragment coding sequence (lacZ')	463-816
T7 promoter transcription initiation site	643
multiple cloning site	653-760
T3 promoter transcription initiation site	774
lac promoter	817-938
pUC origin of replication	1158-1825
ampicillin resistance ( <i>bla</i> ) ORF	1976-2833

**FIGURE 2** Circular map and polylinker sequence of the pBluescript SK(-) phagemid. The complete sequence and list of restriction sites are available from [www.stratagene.com](http://www.stratagene.com) or from the GenBank® database (#X52324).



## BACTERIAL HOST STRAINS

---

### Host Strain Genotypes

Host strains	Genotype
SOLR strain <sup>o</sup>	e14 <sup>-</sup> (McrA <sup>-</sup> ) $\Delta(mcrCB-hsdSMR-mrr)171$ <i>sbcC recB recJ uvrC umuC::Tn5</i> (Kan <sup>r</sup> ) <i>lac gyrA96 relA1 thi-1 endA1 <math>\lambda^R</math> [F' proAB lacI<sup>q</sup>Z<math>\Delta</math>M15] Su<sup>-</sup></i> (nonsuppressing)
XL1-Blue MRF' strain	$\Delta(mcrA)183$ $\Delta(mcrCB-hsdSMR-mrr)173$ <i>endA1 supE44 thi-1 recA1 gyrA96 relA1 lac [F' proAB lacI<sup>q</sup>Z<math>\Delta</math>M15 Tn10 (Tet<sup>r</sup>)]</i>

<sup>o</sup> Use the SOLR strain for excision only.

### XL1-Blue MRF' Bacterial Strain Description

The RecA<sup>-</sup> *E. coli* host strain XL1-Blue MRF' is supplied with the Lambda ZAP II vector kit.<sup>2</sup> Because the Lambda ZAP II vector does not require a *supF* genotype, the amplified library grows very efficiently on the XL1-Blue MRF' strain. In addition, use of the correct host strain is important when working with the Lambda ZAP II vector as the F' episome present in the XL1-Blue MRF' strain serves three purposes.

First, the  $\Delta M15$  *lacZ* gene present on the F' episome is required for the  $\beta$ -galactosidase-based nonrecombinant selection strategy. When cDNA is present in the polylinker, expression from the *lacZ* gene is disrupted and white plaques are produced. In contrast, without insert in the polylinker, the amino terminus of  $\beta$ -galactosidase is expressed and nonrecombinants can be scored visually by the presence of blue plaques. To produce an enzymatically active  $\beta$ -galactosidase protein, two domains are required: the  $\alpha$ -region expressed by the vector and the  $\Delta M15$  *lacZ* domain expressed by the F' episome. These two domains fold to form a functional protein, the  $\alpha$ -region complementing the missing amino acids resulting from the  $\Delta M15$  mutation. Therefore, in order to utilize the nonrecombinant selection strategy, the correct host strain must be used to produce a functional  $\beta$ -galactosidase protein.

Second, the F' episome expresses the genes forming the F' pili found on the surface of the bacteria. Without pili formation, filamentous phage (i.e., M13 or f1) infection could not occur. Because the conversion of a recombinant Lambda ZAP II clone to a pBluescript phagemid requires superinfection with a filamentous helper phage, the F' episome is required for in vivo excision (see *In Vivo Excision of the pBluescript Phagemid from the Lambda ZAP II Vector*).

Third, the F' episome contains the *lac* repressor (*lacI<sup>f</sup>* gene), which blocks transcription from the *lacZ* promoter in the absence of the inducer isopropyl-1-thio-β-D-galactopyranoside (IPTG). This repressor is important for controlling expression of fusion proteins which may be toxic to the *E. coli*. Because the presence of the *lacI<sup>f</sup>* repressor in the *E. coli* host strain can potentially increase the representation or completeness of the library, XL1-Blue MRF' is useful for screening the amplified library.

**Note** *The strains used for the Lambda gt11 vector (i.e., Y1088, Y1089, and Y1090) are not suitable for use with the Lambda ZAP II vector because these strains contain the plasmid pMC9, a pBR322 derivative, which contains many of the same sequences as those found in the phagemid portion of the Lambda ZAP II vector. Using these strains with the Lambda ZAP II vector could result in recombination between the homologous sequences.*

## Recommended Media

Host strain	Agar plates and liquid medium for bacterial streak and glycerol stock	Liquid medium for bacterial cultures prior to phage attachment	Agar plates and top agar for plaque formation	Agar plates for excision protocol
SOLR strain	LB-kanamycin <sup>a</sup>	LB broth with supplements <sup>a-c</sup>	—	LB-ampicillin <sup>a</sup>
XL1-Blue MRF' strain	LB-tetracycline <sup>a</sup>	LB broth with supplements <sup>a-c</sup>	NZY <sup>a</sup>	—

<sup>a</sup> See *Preparation of Media and Reagents*.

<sup>b</sup> LB broth with 0.2% (w/v) maltose and 10 mM MgSO<sub>4</sub>.

<sup>c</sup> Maltose and magnesium supplements are required for optimal lambda phage receptor expression on the surface of the XL1-Blue MRF' host cell. The media supplements are not required for helper phage infection, but are included in both protocols for simplified media preparation.

## Establishing an Agar Plate Bacterial Stock

The bacterial host strains are shipped as bacterial glycerol stocks. On arrival, prepare the following plates from the bacterial glycerol stocks.

**Note** *The host strains may thaw during shipment. The vials should be stored immediately at -20° or -80°C, but most strains remain viable longer if stored at -80°C. It is best to avoid repeated thawing of the host strains in order to maintain extended viability.*

1. Revive the stored cells by scraping off splinters of solid ice with a sterile wire loop.
2. Streak the splinters onto an LB agar plate containing the appropriate antibiotic (see *Recommended Media*), if one is necessary.
3. Incubate the plate overnight at 37°C.
4. Seal the plate with Parafilm® laboratory film and store the plate at 4°C for up to 1 week.
5. Restreak the cells onto a fresh plate every week.

## Preparing a $-80^{\circ}\text{C}$ Bacterial Glycerol Stock

1. In a sterile 50-ml conical tube, inoculate 10 ml of LB broth with the appropriate antibiotic (see *Recommended Media*) with one colony from the plate. Grow the cells to late log phase.
2. Add 4.5 ml of a sterile glycerol-liquid medium solution (prepared by mixing 5 ml of glycerol + 5 ml of the appropriate medium) to the bacterial culture from step 1. Mix well.
3. Aliquot into sterile centrifuge tubes (1 ml/tube).

This preparation may be stored at  $-20^{\circ}\text{C}$  for 1–2 years or at  $-80^{\circ}\text{C}$  for more than 2 years.

## Growth of Cells for Plating Phage

Bacterial cultures for plating phage should be started from a fresh plate using a single colony and should be grown overnight with vigorous shaking at  $30^{\circ}\text{C}$  in 50 ml of LB broth supplemented with 0.2% (w/v) maltose and 10 mM  $\text{MgSO}_4$ . (Do not use tetracycline in the presence of magnesium.) The lower temperature ensures that the cells will not overgrow. The cells should be spun at  $1000 \times g$  for 10 minutes then gently resuspended in 10 ml of 10 mM  $\text{MgSO}_4$ . Before use, dilute cells to an  $\text{OD}_{600}$  of 0.5 with 10 mM  $\text{MgSO}_4$ . Bacterial cells prepared in this manner can be used for all phage manipulations described within the manual. Highest efficiencies are obtained from freshly prepared cells.

## Determining Background by Color Selection with IPTG and X-gal

The color selection by  $\alpha$ -complementation with the Lambda ZAP II vector requires higher amounts of IPTG and X-gal for generation of the blue color. Transcription and translation of the fusion protein are normal, but the large polylinker present within the pBluescript phagemid, which is present in the Lambda ZAP II vector, is partly responsible for the reduced activity of the  $\beta$ -galactosidase protein—not the promoter. As would be expected, the copy number of the Lambda ZAP II vector is much less per cell than the copy number of pBluescript phagemids. However, it is important to note that the color assay is used only for determining the ratio of recombinants to nonrecombinants within a newly constructed library and is not used for any other manipulations.

## HELPER PHAGE

---

Two different helper phages are provided with the Lambda ZAP II vector kit: (1) the ExAssist interference-resistant helper phage with SOLR strain<sup>3</sup> and (2) the VCSM13 helper phage. The ExAssist interference-resistant helper phage with SOLR strain is designed to allow efficient *in vivo* excision of the pBluescript phagemid from the Lambda ZAP II vector while preventing the problems that can be associated with helper phage co-infection. The ExAssist helper phage contains an amber mutation that prevents replication of the phage genome in a nonsuppressing *E. coli* strain (e.g., SOLR cells). Only the excised phagemid can replicate in the host, removing the possibility of co-infection from the ExAssist helper phage. The ExAssist helper phage cannot be used for single-stranded rescue due to its inability to replicate in the SOLR strain. The other helper phage, VCSM13 helper phage, is recommended for single-stranded rescue procedures from the excised pBluescript phagemids (see *Appendix: Recovery of Single-Stranded DNA from Cells Containing pBluescript Phagemids*).

### Storing the Helper Phage

The ExAssist helper phage and the VCSM13 helper phage are supplied in 7% dimethylsulfoxide (DMSO) and should be stored at  $-80^{\circ}\text{C}$ . The helper phage may be stored for short periods of time at  $-20^{\circ}\text{C}$  or  $4^{\circ}\text{C}$ . It is important to titer the helper phage prior to each use. Expect titers of approximately  $10^{10}$  pfu/ml for the ExAssist helper phage or  $10^{11}$  pfu/ml for the VCSM13 helper phage. If the titer drops over time, prepare a fresh high-titer stock of the helper phage as outlined in *Amplifying the Helper Phage*.

### Titering the Helper Phage

1. Transfer a colony of XL1-Blue MRF' cells into 10 ml of LB broth with supplements in a 50-ml conical tube. Incubate the conical tube with shaking at  $37^{\circ}\text{C}$  until growth reaches an  $\text{OD}_{600}$  of 1.0.
2. Dilute the phage ( $10^{-4}$ – $10^{-7}$ ) in SM buffer (See *Preparation of Media and Reagents*) and combine 1  $\mu\text{l}$  of each dilution with 200  $\mu\text{l}$  of XL1-Blue MRF' cells ( $\text{OD}_{600} = 1.0$ ).
3. Incubate the helper phage and the XL1-Blue MRF' cells for 15 minutes at  $37^{\circ}\text{C}$  to allow the phage to attach to the cells.
4. Add 3 ml of NZY top agar, melted and cooled to  $\sim 48^{\circ}\text{C}$ , and plate immediately onto dry, prewarmed NZY agar plates. Allow the plates to set for 10 minutes.

5. Invert the plates and incubate overnight at 37°C.

**Note** *ExAssist and VCSM13 plaques will have a cloudier appearance than lambda phage plaques.*

6. To determine the titer [in plaque-forming units per milliliter (pfu/ml)], use the following formula:

$$\left[ \frac{\text{Number of plaques (pfu)} \times \text{dilution factor}}{\text{Volume plated } (\mu\text{l})} \right] \times 1000 \mu\text{l} / \text{ml}$$

where the volume plated (in microliters) refers to the volume of the helper phage solution added to the cells.

## Amplifying the Helper Phage

1. Transfer a colony of XL1-Blue MRF' cells into 10 ml of LB broth with supplements in a 50-ml conical tube. Incubate the conical tube with shaking at 37°C until growth reaches an OD<sub>600</sub> of 0.3.

**Note** *An OD<sub>600</sub> of 0.3 corresponds to 2.5 × 10<sup>8</sup> cells/ml.*

2. Add the helper phage at a multiplicity of infection (MOI) of 20:1 (phage-to-cells ratio).
3. Incubate the conical tube at 37°C for 15 minutes to allow the phage to attach to the cells.
4. Incubate the conical tube with shaking at 37°C for 8 hours.

**Note** *When amplifying VCSM13 helper phage, add kanamycin to a final concentration of 25 µg/ml after 30 minutes of growth.*

5. Heat the conical tube at 65°C for 15 minutes.
6. Spin down the cell debris and transfer the supernatant to a fresh conical tube.
7. The titer of the supernatant should be between 7.5 × 10<sup>10</sup> and 1.0 × 10<sup>12</sup> pfu/ml for ExAssist helper phage or between 1.0 × 10<sup>11</sup> and 1.0 × 10<sup>12</sup> pfu/ml for VCSM13 helper phage.

**Note** *ExAssist and VCSM13 plaques will have a cloudier appearance than lambda phage plaques.*

8. Add dimethylsulfoxide (DMSO) to a final concentration of 7% (v/v) and store at -80°C.
9. For further details about helper phage titering or amplification, please see *Titering the Helper Phage* or Reference 4.

## PREPARING THE LAMBDA ZAP II VECTOR

---

The Lambda ZAP II vector is shipped in a 10 mM Tris-HCl (pH 7.0) and 0.1 mM EDTA buffer and can be stored up to 1 month at 4°C. For long-term storage, freeze at -20°C in aliquots. However, do not put the samples through multiple freeze-thaw cycles.

**Note** *Due to the high molecular weight of the lambda vector, the contents may be very viscous. It is important to microcentrifuge the contents of the lambda vector tube briefly at 11,000 × g, then gently mix the solution by stirring with a yellow pipet tip prior to pipetting.*

### Preparing for Digestion

The cos ends should be ligated prior to digestion when the vector will be filled in. *The cos ligation procedure is not necessary when the fill-in procedure is not used.*

### Ligating the cos Sites

**Note** *In all ligations, it is important to limit the final glycerol content to less than 5% (v/v).*

10 µg of Lambda ZAP II vector DNA  
2 µl of 10× ligase buffer (see *Preparation of Media and Reagents*)  
2 µl of 10 mM rATP (pH 7.5)  
X µl of T4 DNA ligase (8 U) [Keep the final glycerol content below 5% (v/v).]  
X µl of water for a final volume of 20 µl

1. Incubate overnight at 4°C.
2. Heat for 15 minutes at 68°C to inactivate the ligase.
3. Cool for 15 minutes at room temperature.

## Digestion

The lambda DNA should be digested for the minimum time and amount of enzyme to obtain a complete digestion. Overdigestion with the restriction enzyme will lower efficiency, while underdigestion will result in increased background.

Perform a pilot digestion to test a range of enzyme digestion incubation times. Package 0.4 µg from each time point, also packaging 0.4 µg of undigested Lambda ZAP II vector as a control. (Plate a dilution of the undigested Lambda ZAP II vector packaging mix in order to count a manageable number of plaques.) Choose the time point that gives less than 0.1% of the plating efficiency of uncut Lambda ZAP II vector.

1. Digest 2.5 µg of Lambda ZAP II vector with 2–5 U of enzyme/µg of DNA in a final volume of 25 µl.
2. Remove 0.5 µg (5 µl) at each time point, stopping the reaction by adding the aliquot to 0.5 µl of 10× STE buffer [100 mM Tris-HCl (pH 8.0), 1 M NaCl and 10 mM EDTA (pH 8.0)].

Suggested time points are as follows:

- 1 hour, 45 minutes
- 2 hours, 0 minutes
- 2 hours, 15 minutes
- 2 hours, 30 minutes
- 2 hours, 45 minutes

3. Package 0.4 µg (4 µl) and plate according to the instructions in *Plating for Blue-White Color Selection*.

**Note** *Incomplete digestion by Not I has been reported. This may be correlated with the high viscosity of concentrated lambda phage DNA after cos ligation. It may be necessary to reduce the concentration of the DNA to approximately 0.1 µg/µl when digesting with this enzyme.*

4. After determining the ideal time point:
  - a. Digest 5  $\mu\text{g}$  of Lambda ZAP II vector in a final volume of 50  $\mu\text{l}$ .
  - b. Phenol–chloroform extract with an equal volume.
  - c. Chloroform extract once with an equal volume.
  - d. Adjust the aqueous phase to 0.3 M NaOAc.
  - e. Ethanol precipitate with 2.5 volumes of 100% (v/v) cold ethanol.
  - f. Wash the pellet once with 70% (v/v) ethanol.
  - g. Resuspend the DNA in a 10 mM Tris (pH 7.4) and 1 mM EDTA solution.

### Partial Fill-In Technique

DNA with *Hind* III- or *Bam*H I-compatible ends can be cloned into the Lambda ZAP II vector by using the *Spe* I–*Hind* III or *Xho* I–*Bam*H I partial fill-in technique.

Following *cos* ligation:

1. Digest the Lambda ZAP II vector DNA to completion with the appropriate enzyme according to the above procedure. DO NOT OVER DIGEST.
2. Digest the insert partially or completely with the appropriate enzyme as desired.
3. Fill in the two required nucleotides for the vector and the two required nucleotides for the insert.

To fill in 10  $\mu\text{g}$  of Lambda ZAP II vector DNA, add:

1  $\mu\text{l}$  of 10 mM dTTP  
 1  $\mu\text{l}$  of 10 mM dCTP  
 1  $\mu\text{l}$  of 10  $\times$  fill-in buffer<sup>§</sup>  
1 U of Klenow  
 Total 10  $\mu\text{l}$

To fill in 10  $\mu\text{g}$  of insert, add:

2  $\mu\text{l}$  of 10 mM dATP  
 2  $\mu\text{l}$  of 10 mM dGTP  
 2  $\mu\text{l}$  of 10 $\times$  fill-in buffer  
2 U Klenow  
 Total 20  $\mu\text{l}$

Incubate for 30 minutes at room temperature, then place at 65°C for 15 minutes.

<sup>§</sup> See *Preparation of Media and Reagents*.



4. Phenol–chloroform extract with an equal volume.
5. Chloroform extract once with an equal volume.
6. Adjust the aqueous phase to 0.3 M NaOAc.
7. Ethanol precipitate with 2.5 volumes of 100% (v/v) cold ethanol.
8. Wash the pellet once with 70% (v/v) ethanol.

### Calf Intestinal Alkaline Phosphatase Treatment

Phosphatase the vector that has not been filled in prior to ligation. A procedure is outlined in Sambrook *et al.*<sup>4</sup> The calf intestinal alkaline phosphatase (CIAP) reaction can be carried out in the digestion buffer with the addition of 10× CIAP buffer (see *Preparation of Media and Reagents*). If using universal buffer, CIAP can be performed without the addition of CIAP buffer.

## LIGATING THE INSERT

---

**Notes** *When preparing the vector arms, it may be useful to prepare a test insert to confirm the quality of the lambda arms.*

*In all ligations, it is important to limit the final glycerol content to less than 5% (v/v).*

Add the following components in order:

- X µl of Lambda ZAP II prepared arms (1 µg)
- X µl of insert (0.4 µg)
- 0.5 µl of 10× ligase buffer
- 0.5 µl of 10 mM rATP (pH 7.5)
- X µl of water for a final volume of 5 µl
- X µl of T4 DNA ligase (2 Weiss U)

Incubate at 12–14°C overnight or at 4°C for 2 days.

When ligating the insert, use a volume up to 2.5 µl. Use an equal molar ratio (or less to prevent multiple inserts) of the insert. The Lambda ZAP II vector can accommodate inserts ranging from 0 to 10 kb. The Lambda ZAP II vector is ~41,000 bp in length. If ligating a 4,000-bp insert to the vector, use 0.1 µg of insert for every 1 µg of vector. If the insert used is free from contaminants and contains a high percentage of ligatable ends, expect about  $2 \times 10^6$ – $1.5 \times 10^7$  recombinant plaques when using high-efficiency packaging extracts, such as Gigapack III Plus or Gigapack III Gold packaging extracts (Stratagene Catalog #200201 and #200204, respectively).

## DETERMINING BACKGROUND BY BLUE-WHITE COLOR SELECTION

---

A background test can be completed by plating several hundred plaques on a plate (see *Determining Background by Color Selection with IPTG and X-gal*). Add 15  $\mu$ l of 0.5 M IPTG (in water) and 50  $\mu$ l of 250 mg/ml X-gal [in dimethylformamide (DMF)] to 2–3 ml of NZY top agar, melted and cooled to  $\sim$ 48°C. The higher concentrations of IPTG and X-gal used in the plating often result in the formation of a precipitate, which disappears after incubation. Add IPTG and X-gal to the NZY top agar separately, with mixing in between additions, to minimize the formation of this precipitate. Plate immediately on NZY agar plates. Plaques are visible after incubation for 12 hours at 37°C, although color detection requires overnight incubation. Background plaques are blue, while recombinant plaques are white.

1. To plate the packaged ligation product, mix the following components:

1  $\mu$ l of the final packaged reaction  
200  $\mu$ l of XL1-Blue MRF' cells at an OD<sub>600</sub> of 0.5

and

1  $\mu$ l of a 1:10 dilution of the final packaged reaction  
200  $\mu$ l of XL1-Blue MRF' cells at an OD<sub>600</sub> of 0.5

**Note** Use of any other cell line may result in a dramatically reduced titer. XL1-Blue MRF' is a *RecA*<sup>-</sup> *McrA*<sup>-</sup> and *McrCB*<sup>-</sup> *Mrr*<sup>-</sup> strain and does not restrict methylated DNA.<sup>5-8</sup>

2. Incubate the phage and the bacteria at 37°C for 15 minutes to allow the phage to attach to the cells.
3. Add the following components:

2–3 ml of NZY top agar (melted and cooled to  $\sim$ 48°C)  
15  $\mu$ l of 0.5 M IPTG (in water)  
50  $\mu$ l of X-gal [250 mg/ml (in DMF)]
4. Plate immediately onto dry, prewarmed NZY agar plates and allow the plates to set for 10 minutes. Invert the plates and incubate at 37°C.
5. Plaques should be visible after 12 hours, although color detection requires overnight incubation. Background plaques are blue and should be  $<1 \times 10^5$  pfu/ $\mu$ g of arms, while recombinant plaques will be white (clear) and should be 10- to 100-fold above the background.

## TITERING THE LIBRARY

---

### Preparing the Host Bacteria

1. Streak the XL1-Blue MRF<sup>'</sup> cells onto an LB-tetracycline agar plate. Incubate the plate overnight at 37°C.

**Note** *Do not add antibiotic to the medium in the following step. The antibiotic will bind to the bacterial cell wall and will inhibit the ability of the phage to infect the cell.*

2. Prepare a 50-ml culture of XL1-Blue MRF<sup>'</sup> cells in LB broth with supplements.
3. Incubate with shaking at 37°C for 4–6 hours (do not grow past an OD<sub>600</sub> of 1.0). Alternatively, grow overnight at 30°C, shaking at 200 rpm.

**Note** *The lower temperature keeps the bacteria from overgrowing, thus reducing the number of nonviable cells. Phage can adhere to nonviable cells resulting in a decreased titer.*

4. Pellet the bacteria at 1000 × g for 10 minutes.
5. Gently resuspend the cell pellet in 25 ml sterile 10 mM MgSO<sub>4</sub>.

**Note** *For later use, store the cells at 4°C overnight in 10 mM MgSO<sub>4</sub>.*

### Titering Protocol

1. Dilute the XL1-Blue MRF<sup>'</sup> cells (from step 5 of *Preparing the Host Bacteria*) to an OD<sub>600</sub> of 0.5 with sterile 10 mM MgSO<sub>4</sub>.

**Note** *The bacteria should be used immediately following dilution.*

2. To determine the titer of the packaged ligation product, mix the following components:

1 μl of the final packaged reaction  
200 μl of XL1-Blue MRF<sup>'</sup> cells at an OD<sub>600</sub> of 0.5

and

1 μl of a 1:10 dilution of the final packaged reaction  
200 μl of XL1-Blue MRF<sup>'</sup> cells at an OD<sub>600</sub> of 0.5

3. Incubate the phage and the bacteria at 37°C for 15 minutes to allow the phage to attach to the cells.

4. Add 3 ml of NZY top agar, melted and cooled to  $\sim 48^{\circ}\text{C}$ , and plate immediately onto dry, prewarmed NZY agar plates. Allow the plates to set for 10 minutes. Invert the plates and incubate at  $37^{\circ}\text{C}$ .
5. Plaques should be visible after 12 hours. Count the plaques and determine the titer in plaque-forming units per milliliter (pfu/ml).

**Note** *Primary libraries can be unstable; therefore, amplification of the libraries is recommended immediately.*

## AMPLIFYING THE LIBRARY

---

It is usually desirable to amplify libraries prepared in lambda vectors to make a large, stable quantity of a high-titer stock of the library. However, more than one round of amplification is not recommended, since slower growing clones may be significantly underrepresented.

The following protocol is recommended for amplifying the Lambda ZAP II library:

### Day 1

1. Grow a 50-ml overnight culture of XL1-Blue MRF' cells in LB broth with supplements at  $30^{\circ}\text{C}$  with shaking.

### Day 2

2. Gently spin down the XL1-Blue MRF' cells ( $1000 \times g$ ). Resuspend the cell pellet in 25 ml of 10 mM  $\text{MgSO}_4$ . Measure the  $\text{OD}_{600}$  of the cell suspension, then dilute the cells to an  $\text{OD}_{600}$  of 0.5 in 10 mM  $\text{MgSO}_4$ .
3. Combine aliquots of the packaged mixture or library suspension containing  $\sim 5 \times 10^4$  pfu of bacteriophage with 600  $\mu\text{l}$  of XL1-Blue MRF' cells at an  $\text{OD}_{600}$  of 0.5 in 14-ml BD Falcon polypropylene round-bottom tubes. To amplify  $1 \times 10^6$  plaques, use a total of 20 aliquots (each aliquot contains  $5 \times 10^4$  plaques/150-mm plate).

**Note** *Do not add more than 300  $\mu\text{l}$  of phage/600  $\mu\text{l}$  of cells.*

4. Incubate the tubes containing the phage and host cells for 15 minutes at  $37^{\circ}\text{C}$  to allow the phage to attach to the cells.
5. Mix 6.5 ml of NZY top agar, melted and cooled to  $\sim 48^{\circ}\text{C}$ , with each aliquot of infected bacteria and spread evenly onto a freshly poured 150-mm NZY agar plate. Allow the plates to set for 10 minutes.
6. Invert the plates and incubate at  $37^{\circ}\text{C}$  for 6–8 hours. Do not allow the plaques to get larger than 1–2 mm. On completion, the plaques should be touching.

7. Overlay the plates with ~8–10 ml of SM buffer. Store the plates at 4°C overnight (with *gentle* rocking if possible). This allows the phage to diffuse into the SM buffer.

### Day 3

8. Recover the bacteriophage suspension from each plate and pool it into a sterile polypropylene container. Rinse the plates with an additional 2 ml of SM buffer and pool. Add chloroform to a 5% (v/v) final concentration. Mix well and incubate for 15 minutes at room temperature.
9. Remove the cell debris by centrifugation for 10 minutes at  $500 \times g$ .
10. Recover the supernatant and transfer it to a sterile polypropylene container. If the supernatant appears cloudy or has a high amount of cell debris, repeat steps 8 and 9. If the supernatant is clear, add chloroform to a 0.3% (v/v) final concentration and store at 4°C. Store aliquots of the amplified library in 7% (v/v) DMSO at –80°C.
11. Check the titer of the amplified library using host cells and serial dilutions of the library. (Assume  $\sim 10^9$ – $10^{11}$  pfu/ml.)

**Note** *Briefly spin the lambda phage stock to ensure that the chloroform is separated completely before removing the aliquot for titering.*

## PERFORMING PLAQUE LIFTS

---

1. Titer the amplified mixture or library suspension to determine the concentration using XL1-Blue MRF' cells.
2. Combine the equivalent of  $5 \times 10^4$  pfu/plate and 600  $\mu$ l of freshly prepared XL1-Blue MRF' cells at an OD<sub>600</sub> of 0.5.
3. Incubate the bacteria and phage mixture at 37°C for 15 minutes to allow the phage to attach to the cells.
4. Add 6.5 ml of NZY top agar (~48°C) to the bacteria and phage mixture.
5. Quickly pour the plating culture onto a dry, prewarmed 150-mm NZY agar plate, which is at least 2 days old. Carefully swirl the plate to distribute the cells evenly. Allow the plates to set for 10 minutes. (Use 20 plates to screen  $1 \times 10^6$  pfu.)
6. Invert the plates and incubate at 37°C for ~8 hours.
7. Chill the plates for 2 hours at 4°C to prevent the top agar from sticking to the nitrocellulose membrane.

**Note** Use forceps and wear gloves for the following steps.

8. Place a nitrocellulose membrane onto each NZY agar plate for 2 minutes to allow the transfer of the phage particles to the membrane. Use a needle to prick through the membrane and agar for orientation. (If desired, waterproof ink in a syringe needle may be used.)

**Notes** If making duplicate nitrocellulose membranes, allow the second membrane to transfer for ~4 minutes.

*Pyrex® dishes are convenient for the following steps. All solutions should be at room temperature.*

- a. Denature the nitrocellulose-bound DNA after lifting by submerging the membrane in a 1.5 M NaCl and 0.5 M NaOH denaturation solution for 2 minutes.

**Note** If using charged nylon, wash with gloved fingertips to remove the excess top agar.

- b. Neutralize the nitrocellulose membrane for 5 minutes by submerging the membrane in a 1.5 M NaCl and 0.5 M Tris-HCl (pH 8.0) neutralization solution.
- c. Rinse the nitrocellulose membrane for no more than 30 seconds by submerging the membrane in a 0.2 M Tris-HCl (pH 7.5) and 2× SSC buffer solution (see *Preparation of Media and Reagents*).

9. Blot briefly on a Whatman® 3MM paper.
10. Crosslink the DNA to the membranes using the autocrosslink setting on the Stratalinker UV crosslinker\* (120,000 µJ of UV energy) for ~30 seconds. Alternatively, oven bake at 80°C for ~1.5–2 hours.
11. Store the stock agar plates of the transfers at 4°C to use after screening.

## **HYBRIDIZING AND SCREENING**

---

Following the preparation of the membranes for hybridization, perform prehybridization, probe preparation, hybridization, and washes for either oligonucleotide probes or double-stranded probes and then expose the membranes to film as outlined in standard methodology texts.<sup>4,9</sup> Following these procedures, perform secondary and tertiary screenings also as outlined in the standard methodology texts.<sup>4,9</sup> When using the Lambda ZAP II vector, perform *in vivo* excision on the isolates to obtain the insert-containing pBluescript phagemid, or after an isolate is obtained, refer to Reference 4 for suggested phage miniprep and maxiprep procedures.

## **ANTIBODY SCREENING PROTOCOL**

---

A complete instruction manual for immunoscreening is supplied with the Stratagene *picoBlue* immunoscreening kit. This kit is available with goat anti-rabbit antibodies or goat anti-mouse antibodies [Stratagene Catalog #200371 (goat anti-rabbit) and #200372 (goat anti-mouse)].

\* Available from Stratagene Products Division, Catalog #400071 (1800) and #400075 (2400).

## In Vivo EXCISION OF THE pBLUESCRIPT PHAGEMID FROM THE LAMBDA ZAP II VECTOR

---

The Lambda ZAP II vector is designed to allow simple, efficient in vivo excision and recircularization of any cloned insert contained within the lambda vector to form a phagemid containing the cloned insert. This in vivo excision depends on the placement of the DNA sequences within the lambda phage genome and on the presence of a variety of proteins, including f1 bacteriophage-derived proteins. The f1 phage proteins recognize a region of DNA normally serving as the f1 bacteriophage origin of replication. This origin of replication can be divided into two overlying parts: (1) the site of initiation and (2) the site of termination for DNA synthesis.<sup>10</sup> These two regions are subcloned separately into the Lambda ZAP II vector. The lambda phage (target) is made accessible to the f1-derived proteins by simultaneously infecting a strain of *E. coli* with both the lambda vector and the f1 bacteriophage.

Inside *E. coli*, the "helper" proteins (i.e., proteins from f1 or M13 phage) recognize the initiator DNA that is within the lambda vector. One of these proteins then nicks one of the two DNA strands. At the site of this nick, new DNA synthesis begins and duplicates whatever DNA exists in the lambda vector "downstream" (3') of the nicking site. DNA synthesis of a new single strand of DNA continues through the cloned insert until a termination signal, positioned 3' of the initiator signal, is encountered within the constructed lambda vector. The single-stranded DNA molecule is circularized by the gene II product from the f1 phage, forming a circular DNA molecule containing the DNA between the initiator and terminator. In the case of the Lambda ZAP II vector, this includes all sequences of the pBluescript SK(-) phagemid and the insert, if one is present. This conversion is the "subcloning" step, since all sequences associated with normal lambda vectors are positioned outside of the initiator and terminator signals and are not contained within the circularized DNA. In addition, the circularizing of the DNA automatically recreates a functional f1 origin as found in f1 bacteriophage or phagemids.



# In Vivo EXCISION PROTOCOLS USING EXASSIST HELPER PHAGE WITH SOLR STRAIN

---

The ExAssist helper phage with SOLR strain is designed to allow efficient excision of the pBluescript phagemid from the Lambda ZAP II vector, while eliminating problems associated with helper phage co-infection. The ExAssist helper phage contains an amber mutation that prevents replication of the phage genome in a nonsuppressing *E. coli* strain such as SOLR cells. This allows only the excised phagemid to replicate in the host, removing the possibility of co-infection from the ExAssist helper phage. Since the ExAssist helper phage cannot replicate in the SOLR strain, single-stranded rescue cannot be performed in this strain using this helper phage.

Mass excision can be used to generate subtraction libraries and subtracted DNA probes.

## Single-Clone Excision Protocol

### Day 1

1. Core the plaque of interest from the agar plate and transfer the plaque to a sterile microcentrifuge tube containing 500  $\mu$ l of SM buffer and 20  $\mu$ l of chloroform. Vortex the microcentrifuge tube to release the phage particles into the SM buffer. Incubate the microcentrifuge tube for 1–2 hours at room temperature or overnight at 4°C. (This phage stock is stable for up to 6 months at 4°C.)
2. Grow separate 50-ml overnight cultures of XL1-Blue MRF' and SOLR cells in LB broth with supplements at 30°C.

### Day 2

3. Gently spin down the XL1-Blue MRF' and SOLR cells (1000  $\times$  g). Resuspend each of the cell pellets in 25 ml of 10 mM MgSO<sub>4</sub>. Measure the OD<sub>600</sub> of the cell suspensions, then adjust the concentration of the cells to an OD<sub>600</sub> of 1.0 ( $8 \times 10^8$  cells/ml) in 10 mM MgSO<sub>4</sub>.
4. Combine the following components in a BD Falcon polypropylene tube:

200  $\mu$ l of XL1-Blue MRF' cells at an OD<sub>600</sub> of 1.0  
250  $\mu$ l of phage stock (containing  $>1 \times 10^5$  phage particles)  
1  $\mu$ l of the ExAssist helper phage ( $>1 \times 10^6$  pfu/ $\mu$ l)

**Note** Briefly spin the lambda phage stock to ensure that the chloroform is separated completely before removing the aliquot used in the excision reaction.

5. Incubate the BD Falcon polypropylene tube at 37°C for 15 minutes to allow the phage to attach to the cells.

6. Add 3 ml of LB broth with supplements and incubate the BD Falcon polypropylene tube for 2.5–3 hours at 37°C with shaking. Because clonal representation is not relevant, single-clone excision reactions can be safely performed overnight.

**Note** *The turbidity of the media is not indicative of the success of the excision.*

7. Heat the BD Falcon polypropylene tube at 65–70°C for 20 minutes to lyse the lambda phage particles and the cells. Spin the tube at 1000 × g for 15 minutes to pellet the cell debris.
8. Decant the supernatant into a sterile BD Falcon polypropylene tube. This stock contains the excised pBluescript phagemid packaged as filamentous phage particles. (This stock may be stored at 4°C for 1–2 months.)
9. To plate the excised phagemids, add 200 µl of freshly grown SOLR cells from step 3 (OD<sub>600</sub> = 1.0) to two 1.5-ml microcentrifuge tubes. Add 100 µl of the phage supernatant (from step 8 above) to one microcentrifuge tube and 10 µl of the phage supernatant to the other microcentrifuge tube.
10. Incubate the microcentrifuge tubes at 37°C for 15 minutes.
11. Plate 200 µl of the cell mixture from each microcentrifuge tube on LB-ampicillin agar plates (100 µg/ml) and incubate the plates overnight at 37°C.

Due to the high-efficiency of the excision process, it may be necessary to titrate the supernatant to achieve single-colony isolation.

Colonies appearing on the plate contain the pBluescript double-stranded phagemid with the cloned DNA insert. Helper phage will not grow, since helper phage is unable to replicate in the Su<sup>-</sup> (nonsuppressing) SOLR strain and does not contain ampicillin-resistance genes. SOLR cells are also resistant to lambda phage infection, thus preventing lambda phage contamination after excision.

To maintain the pBluescript phagemid, streak the colony on a new LB-ampicillin agar plate. For long-term storage, prepare a bacterial glycerol stock and store at -80°C.

VCSM13 helper phage is recommended for the single-stranded rescue procedure. The single-stranded rescue procedure can be found in *Appendix: Recovery Of Single-Stranded DNA From Cells Containing pBluescript Phagemids*.

## Mass Excision Protocol

### Day 1

1. Grow separate 50-ml overnight cultures of XL1-Blue MRF<sup>'</sup> and SOLR cells in LB broth with supplements at 30°C.

### Day 2

2. Gently spin down the XL1-Blue MRF<sup>'</sup> and SOLR cells (1000 × g). Resuspend each of the cell pellets in 25 ml of 10 mM MgSO<sub>4</sub>. Measure the OD<sub>600</sub> of the cell suspensions, then adjust the concentration of the cells to an OD<sub>600</sub> of 1.0 (8 × 10<sup>8</sup> cells/ml) in 10 mM MgSO<sub>4</sub>.
3. In a 50-ml conical tube, combine a portion of the amplified lambda bacteriophage library with XL1-Blue MRF<sup>'</sup> cells at a MOI of 1:10 lambda phage-to-cell ratio. Excise 10- to 100-fold more lambda phage than the size of the primary library to ensure statistical representation of the excised clones. Add ExAssist helper phage at a 10:1 helper phage-to-cells ratio to ensure that every cell is co-infected with lambda phage and helper phage.

For example, use

10<sup>7</sup> pfu of the lambda phage (i.e., 10- to 100-fold above the primary library size)

10<sup>8</sup> XL1-Blue MRF<sup>'</sup> cells (1:10 lambda phage-to-cell ratio, noting that an OD<sub>600</sub> of 1.0 corresponds to 8 × 10<sup>8</sup> cells/ml)

10<sup>9</sup> pfu of ExAssist helper phage (10:1 helper phage-to-cells ratio)

**Note** Briefly spin the lambda phage stock to ensure that the chloroform is separated completely before removing the aliquot used in the excision reaction.

4. Incubate the conical tube at 37°C for 15 minutes to allow the phage to attach to the cells.
5. Add 20 ml of LB broth with supplements and incubate the conical tube for 2.5–3 hours at 37°C with shaking.

**Notes** Incubation times for mass excision in excess of 3 hours may alter the clonal representation.

*The turbidity of the media is not indicative of the success of the excision.*

6. Heat the conical tube at 65–70°C for 20 minutes to lyse the lambda phage particles and the cells.
7. Spin the conical tube at 1000 × g for 10 minutes to pellet the cell debris and then decant the supernatant into a sterile conical tube.

8. To titer the excised phagemids, combine 1  $\mu\text{l}$  of this supernatant with 200  $\mu\text{l}$  of SOLR cells from step 2 in a 1.5-ml microcentrifuge tube.
9. Incubate the microcentrifuge tube at 37°C for 15 minutes.
10. Plate 100  $\mu\text{l}$  of the cell mixture onto LB–ampicillin agar plates (100  $\mu\text{g}/\text{ml}$ ) and incubate the plates overnight at 37°C.

**Note** *It may be necessary to further dilute the cell mixture to achieve single-colony isolation.*

At this stage, colonies may be selected for plasmid preps, or the cell mixture may be plated directly onto filters for colony screening.

## APPENDIX: RECOVERY OF SINGLE-STRANDED DNA FROM CELLS CONTAINING PBLUESCRIPT PHAGEMIDS

---

pBluescript is a phagemid that can be secreted as single-stranded DNA in the presence of M13 helper phage. These phagemids contain the intergenic (IG) region of a filamentous f1 phage. This region encodes all of the *cis*-acting functions of the phage required for packaging and replication. In *E. coli* with the F<sup>+</sup> phenotype (containing an F' episome), pBluescript phagemids will be secreted as single-stranded f1 "packaged" phage when the bacteria has been infected by a helper phage. Since these filamentous helper phages (M13, f1) will not infect *E. coli* without an F' episome coding for pili, **it is essential to use XL1-Blue MRF' or a similar strain containing the F' episome.**<sup>11, 12</sup>

The Stratagene Products Division offers helper phages that *preferentially* package pBluescript phagemids. Typically, 30–50 pBluescript molecules are packaged/helper phage DNA molecule. pBluescript phagemids are offered with the IG region in either of two orientations: pBluescript (+) is replicated such that the sense strand of the  $\beta$ -galactosidase gene is secreted within the phage particles; pBluescript (–) is replicated such that the antisense strand of the  $\beta$ -galactosidase gene is secreted in the phage particles.

Yields of single-stranded (ss)DNA depend on the specific insert sequence. For most inserts, over 1  $\mu$ g of ssDNA can be obtained from a 1.5-ml miniprep if grown in XL1-Blue MRF'. A faint single-strand helper phage band may appear on a gel at ~6 kb for VCSM13. This DNA mixture can be sequenced with primers that are specific for pBluescript and do not hybridize to the helper phage genome.

Site-specific mutagenesis is also possible using standard techniques. The advantages of using pBluescript phagemids for either purpose are as follows: (1) pBluescript phagemids do not replicate via the M13 cycle, lessening the tendency to delete DNA inserts, therefore it is unlikely that even 10-kb inserts will be deleted. (2) "Packaging" of pBluescript phagemids containing inserts is efficient since the pBluescript vector is significantly smaller than wild-type M13. (3) Oligonucleotide mutagenesis in pBluescript vectors is advantageous because the mutagenized insert is located between the T3 and T7 promoters. The resultant mutant transcripts can be synthesized *in vitro* without further subcloning.

VCSM13 (single-strand size ~6 kb), is efficient at single-stranded DNA rescue and provides good yields of single-stranded phagemid; however it can revert to wild-type (more frequently than R408 helper phage, for example). This difficulty can be addressed by periodically propagating VCSM13 in the presence of kanamycin. [VCSM13 (a derivative of M13KO7) has a kanamycin gene inserted into the intergenic region.]

## Single-Stranded Rescue Protocol

1. Inoculate a single colony into 5 ml of 2× YT broth<sup>§</sup> containing 100 µg/ml ampicillin and VCSM13 helper phage at 10<sup>7</sup>–10<sup>8</sup> pfu/ml (MOI ~10).
2. Grow the culture at 37°C with vigorous aeration for 1–2 hours.
3. Add kanamycin to 70 µg/ml to select for infected cells.
4. Continue growth at 37°C with vigorous aeration for 16–24 hours, or until growth has reached saturation.
5. Centrifuge 1.5 ml of the cell culture for 5 minutes in a microcentrifuge.
6. Remove 1 ml of the supernatant to a fresh tube, then add 150 µl of a solution containing 20% PEG8000 and 2.5 M NaCl. Allow phage particles to precipitate on ice for 15 minutes.

**Note** For increased yield, perform the PEG precipitation overnight at 4°C.

7. Centrifuge for 5 minutes in a microcentrifuge. (A pellet should be obvious.)
8. Remove supernatant. Centrifuge the PEG pellets a few seconds more to collect residual liquid, then remove and discard the residual liquid.
9. Resuspend the pellet in 400 µl of 0.3 M NaOAc (pH 6.0) and 1 mM EDTA by vortexing vigorously.
10. Extract with 1 volume phenol–chloroform and centrifuge for 1–2 minutes to separate phases.
11. Transfer the aqueous phase to a fresh tube and add 1 ml of ethanol. Centrifuge for 5 minutes.
12. Remove ethanol and dry the DNA pellet.
13. Dissolve the pellet in 25 µl of TE buffer<sup>§</sup>.
14. Analyze 1–2 µl on an agarose gel.

<sup>§</sup> See *Preparation of Media and Reagents*.

# TROUBLESHOOTING

## Packaging

Observations	Suggestions
Packaging efficiency is too low	Gigapack III packaging extract is very sensitive to slight variations in temperature; therefore, store the packaging extracts at the bottom of a $-80^{\circ}\text{C}$ freezer and avoid transferring tubes from one freezer to another
	Do not allow the packaging extracts to thaw
	Avoid use of ligase buffers containing PEG, which can inhibit packaging
	Ensure sufficient DNA is used in the reaction. Ligate at DNA concentrations of $0.2\ \mu\text{g}/\mu\text{l}$ or greater and package between 1 and $4\ \mu\text{l}$ of the ligation reaction
	Never package $>4\ \mu\text{l}$ of the ligation reaction, which results in excessive dilution of the packaging extract
Neither a bacterial lawn nor plaques is observed on the plate when titering or amplifying the library	The lambda phage stock aliquot used when determining titer and amplifying the library cannot contain chloroform, as chloroform lyses the <i>E. coli</i> cells. Briefly spin the lambda phage stock to ensure that the chloroform is separated completely before removing the aliquot

## Excision

Observations	Suggestions
The number of colonies is too low	Verify that the titer on the tubes is current and correct and use only calibrated pipettors. The molar ratios of lambda phage to cells to helper phage is critical
	If an excision is unsuccessful, prepare a high-titer stock of the phage and repeat the excision procedure, as excision efficiencies are directly related to the Lambda ZAP phage titer
	Poor rescue may be a result of toxic cDNA clones which can be isolated in lambda vectors but not in plasmid vectors. The ABLE C strain* and the ABLE K strain* reduce the copy number of common cloning vectors by $\sim 4$ - and 10-fold, respectively, enhancing the probability that a toxic clone will be propagated. Positive clones observed on initial screening as lambda plaques can be excised and introduced into the ABLE strains. Excised phagemid libraries can also be screened directly in the ABLE strains
	The lambda phage stock aliquot used for in vivo excision cannot contain chloroform, as chloroform lyses the <i>E. coli</i> cells. Briefly spin the lambda phage stock to ensure that the chloroform is separated completely before removing the aliquot

\* ABLE competent cells (Catalog #200170–200172) and ABLE electroporation competent cells (Catalog #200160–200162) are available separately from Stratagene Products Division.

## PREPARATION OF MEDIA AND REAGENTS

<p><b>10× CIAP Buffer</b> 500 mM Tris-HCl (pH 8.0) 1 mM EDTA</p>	<p><b>LB Agar (per Liter)</b> 10 g of NaCl 10 g of tryptone 5 g of yeast extract 20 g of agar Add deionized H<sub>2</sub>O to a final volume of 1 liter Adjust pH to 7.0 with 5 N NaOH Autoclave Pour into petri dishes (~25 ml/100-mm plate)</p>
<p><b>10× Fill-In Buffer</b> 60 mM Tris-HCl (pH 7.5) 60 mM NaCl 60 mM MgCl<sub>2</sub> 0.5% (w/v) gelatin 10 mM dithiothreitol (DTT)</p>	<p><b>LB–Kanamycin Agar (per Liter)</b> Prepare 1 liter of LB agar Autoclave Cool to 55°C Add 5 ml of 10-mg/ml, filter-sterilized kanamycin Pour into petri dishes (~25 ml/100-mm plate)</p>
<p><b>LB–Kanamycin Broth (per Liter)</b> Prepare 1 liter of LB broth Autoclave Cool to 55°C Add 50 mg of filter-sterilized kanamycin</p>	<p><b>LB–Ampicillin Agar (per Liter)</b> 1 liter of LB agar, autoclaved Cool to 55°C Add 10 ml of 10-mg/ml filter-sterilized ampicillin Pour into petri dishes (~25 ml/100-mm plate)</p>
<p><b>2× YT Broth (per Liter)</b> 10 g of NaCl 10 g of yeast extract 16 g of tryptone Add deionized H<sub>2</sub>O to a final volume of 1 liter Adjust to pH 7.5 with NaOH Autoclave</p>	<p><b>LB–Tetracycline Agar (per Liter)</b> Prepare 1 liter of LB agar Autoclave Cool to 55°C Add 12.5 mg of filter-sterilized tetracycline Pour into petri dishes (~25 ml/100-mm plate) Store plates in a dark, cool place or cover plates with foil if left out at room temperature for extended time periods as tetracycline is light-sensitive</p>
<p><b>LB–Tetracycline Broth (per Liter)</b> Prepare 1 liter of LB broth Autoclave Cool to 55°C Add 12.5 mg of filter-sterilized tetracycline Store broth in a dark, cool place as tetracycline is light-sensitive</p>	<p><b>LB Broth with Supplements</b> Prepare 1 liter of LB broth Autoclave Add the following filter-sterilized supplements prior to use 10 ml of 1 M MgSO<sub>4</sub> 3 ml of a 2 M maltose solution or 10 ml of 20% (w/v) maltose</p>



<p><b>10× Ligase Buffer</b>  500 mM Tris-HCl (pH 7.5)  70 mM MgCl<sub>2</sub>  10 mM dithiothreitol (DTT)</p> <p><i>Note</i> <i>rATP is added separately in the ligation reaction.</i></p>	<p><b>NZY Agar (per Liter)</b>  5 g of NaCl  2 g of MgSO<sub>4</sub> · 7H<sub>2</sub>O  5 g of yeast extract  10 g of NZ amine (casein hydrolysate)  15 g of agar  Add deionized H<sub>2</sub>O to a final volume of 1 liter  Adjust the pH to 7.5 with NaOH  Autoclave  Pour into petri dishes (~80 ml/150-mm plate)</p>
<p><b>TE Buffer</b>  10 mM Tris-HCl (pH 7.5)  1 mM EDTA  Autoclave</p>	<p><b>NZY Top Agar (per Liter)</b>  Prepare 1 liter of NZY broth  Add 0.7% (w/v) agarose  Autoclave</p>
<p><b>NZY Broth (per Liter)</b>  5 g of NaCl  2 g of MgSO<sub>4</sub> · 7H<sub>2</sub>O  5 g of yeast extract  10 g of NZ amine (casein hydrolysate)  Add deionized H<sub>2</sub>O to a final volume of 1 liter  Adjust the pH to 7.5 with NaOH  Autoclave</p>	<p><b>20× SSC Buffer (per Liter)</b>  175.3 g of NaCl  88.2 g of sodium citrate  800.0 ml of deionized H<sub>2</sub>O  Adjust to pH 7.0 with a few drops of 10 N NaOH  Add deionized H<sub>2</sub>O to a final volume of 1 liter</p>
<p><b>SM Buffer (per Liter)</b>  5.8 g of NaCl  2.0 g of MgSO<sub>4</sub> · 7H<sub>2</sub>O  50.0 ml of 1 M Tris-HCl (pH 7.5)  5.0 ml of 2% (w/v) gelatin  Add deionized H<sub>2</sub>O to a final volume of 1 liter  Autoclave</p>	

## REFERENCES

---

1. Bullock, W. O., Fernandez, J. M. and Short, J. M. (1987) *Biotechniques* 5(4):376–378.
2. Short, J. M., Fernandez, J. M., Sorge, J. A. and Huse, W. D. (1988) *Nucleic Acids Res* 16(15):7583-600.
3. Hay, B. and Short, J. M. (1992) *Strategies* 5(1):16–18.
4. Sambrook, J., Fritsch, E. F. and Maniatis, T. (1989). *Molecular Cloning: A Laboratory Manual*. Cold Spring Harbor Laboratory Press, Cold Spring Harbor, NY.
5. Kohler, S. W., Provost, G. S., Kretz, P. L., Dyaico, M. J., Sorge, J. A. et al. (1990) *Nucleic Acids Res* 18(10):3007-13.
6. Kretz, P. L., Kohler, S. W. and Short, J. M. (1991) *J Bacteriol* 173(15):4707-16.
7. Kretz, P. L., Reid, C. H., Greener, A. and Short, J. M. (1989) *Nucleic Acids Res* 17(13):5409.
8. Kretz, P. L. a. S., J. M. (1989) *Strategies in Molecular Biology* 2(2):25-26.
9. Ausubel, F. M., Brent, R., Kingston, R. E., Moore, D. D., Seidman, J. G. et al. (1987). *Current Protocols in Molecular Biology*. John Wiley and Sons, New York.
10. Dotto, G. P., Horiuchi, K. and Zinder, N. D. (1984) *J Mol Biol* 172(4):507-21.
11. Dente, L., Cesareni, G. and Cortese, R. (1983) *Nucleic Acids Res* 11(6):1645-55.
12. Mead, D. A., Skorupa, E. S. and Kemper, B. (1985) *Nucleic Acids Res* 13(4):1103-18.

## ENDNOTES

---

GenBank<sup>®</sup> is a registered trademark of the U.S. Department of Health and Human Services.  
Parafilm<sup>®</sup> is a registered trademark of American Can Company.  
Pyrex<sup>®</sup> is a registered trademark of Corning Glass Works.  
Whatman<sup>®</sup> is a registered trademark of Whatman Ltd.

## MSDS INFORMATION

---

The Material Safety Data Sheet (MSDS) information for Stratagene products is provided on the web at <http://www.stratagene.com/MSDS/>. Simply enter the catalog number to retrieve any associated MSDS's in a print-ready format. MSDS documents are not included with product shipments.